



T6 SERIES

SPECIFICATIONS

Contact Resistance(initial)

Max. 100 mΩ

Measured by ohm meter - open voltage < 1VDC, driver current -100 mA

Insulation Resistance(at 100 VDC / minute)

Min. 100 MΩ

Operating Temperature Range

-25°C to 70°C (with no icing)

Vibration

10~55 Hz, displacement 0.75 mm(p-p)

Electrical Service Life

Min. 2,000,000 operations

Electrical Operating Frequency

120 operations per minute

Mechanical Service Life

Min. 2,000,000 operations

Mechanical Operating Frequency

120 operations per minute

RATING

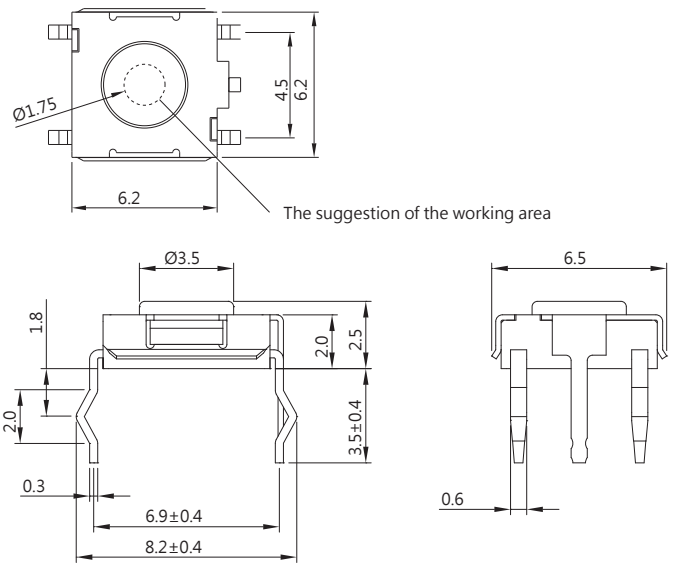
50mA 12VDC

APPLICATIONS

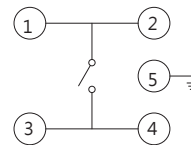
Mouse, Joystick, Notebook

DIMENSIONS

Unless otherwise specified, a tolerance of ±0.4mm applies to all dimensions.

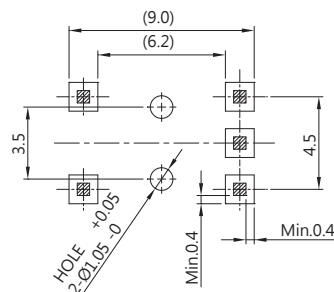


CONTACT CONFIGURATION

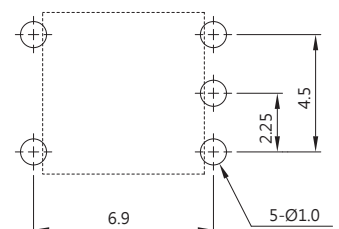


MOUNTING HOLES

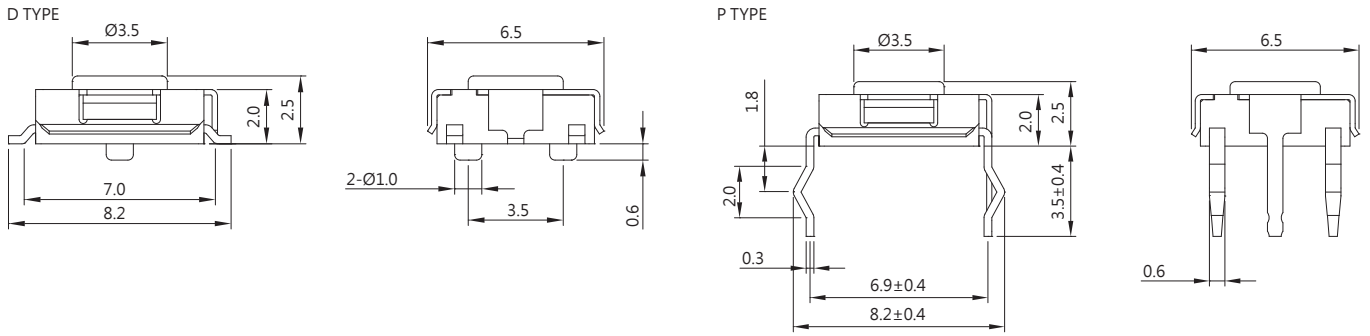
D TYPE



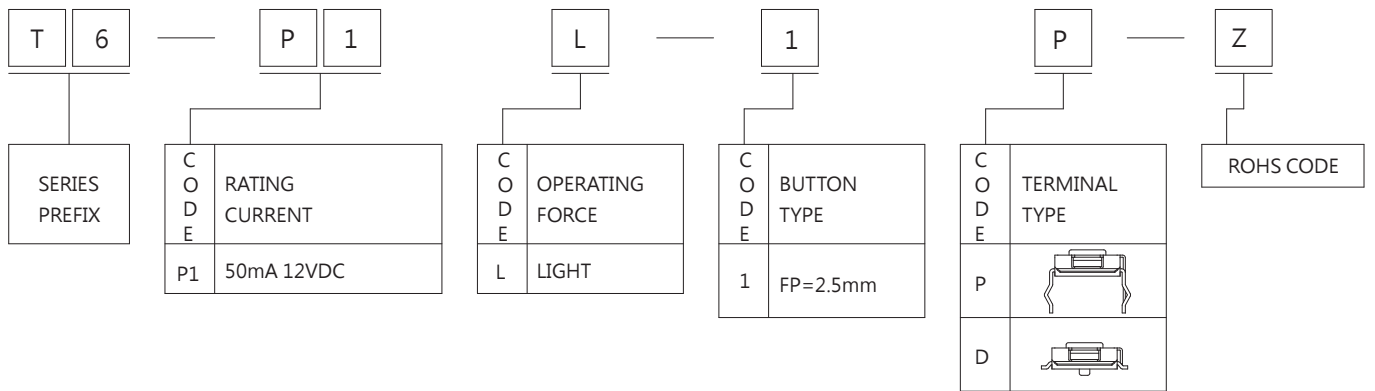
P TYPE



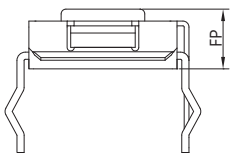
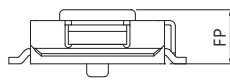
TERMINAL TYPES



ORDERING INFORMATION



OPERATING CHARACTERISTICS

SWITCH TYPE	PART SUFFIX	OF(gf)		TRAVEL (mm)	FP (mm)	RF- Min. (gf)
T6-P1L-1P-Z		L	60±25gf	0.5 ^{+0.2} / _{-0.1} mm	2.5 ±0.2 mm	20 gf
T6-P1L-1D-Z		L	60±25gf	0.5 ^{+0.2} / _{-0.1} mm	2.5 ±0.2 mm	20 gf