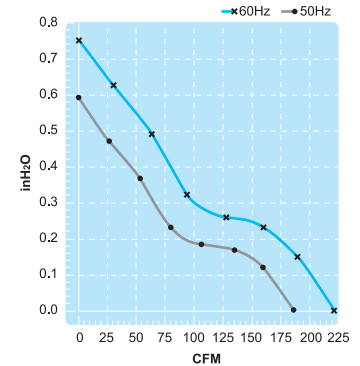
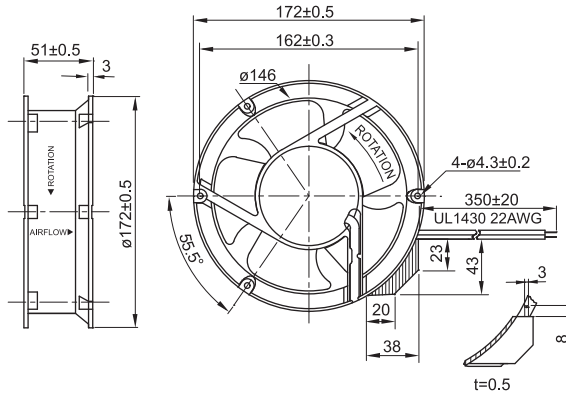
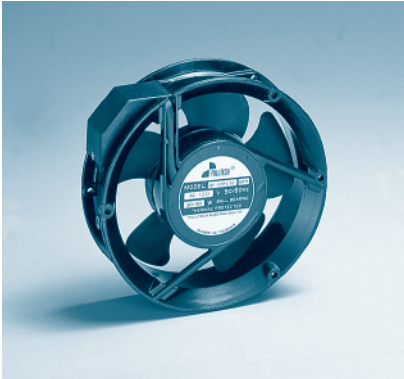


# UF17P(C) Series

Size :  $\varnothing 172 \times 51$   
Unit : mm



## Thermal Protection

## Terminal or Lead Wire Type



Spec.	Rated Voltage	Frequency	Input Power	Rated Current	Locked Current	Speed	Maximum Air Flow	Maximum Air Flow	Maximum Pressure	Maximum Pressure	Noise	Weight
Model	V	Hz	W	A	A	RPM	m <sup>3</sup> /min.	CFM	mmH <sub>2</sub> O	InchH <sub>2</sub> O	dB	kg
UF17PC10-H	100V	50	30	0.33	0.50	2850	5.8	205	16	0.63	50	0.82
		60	30	0.29	0.52	3400	6.4	226	20	0.79	55	
UF17PC11-H	115V	50	31	0.26	0.41	2850	5.8	205	16	0.63	50	0.82
		60	31	0.25	0.43	3400	6.4	226	20	0.79	55	
UF17PC20-H	200V	50	29	0.15	0.23	2850	5.8	205	16	0.63	50	0.82
		60	29	0.14	0.25	3400	6.4	226	20	0.79	55	
UF17PC23-H	230V	50	29	0.12	0.19	2850	5.8	205	16	0.63	50	0.82
		60	29	0.12	0.19	3400	6.4	226	20	0.79	55	
UF17PC11-L	115V	50	31	0.17	0.21	1400	2.5	88	3.8	0.15	31	0.82
		60	31	0.15	0.20	1700	3.0	106	5.5	0.22	37	
UF17PC23-L	230V	50	29	0.08	0.09	1400	2.5	88	3.8	0.15	31	0.82
		60	29	0.07	0.09	1700	3.0	106	5.5	0.22	37	