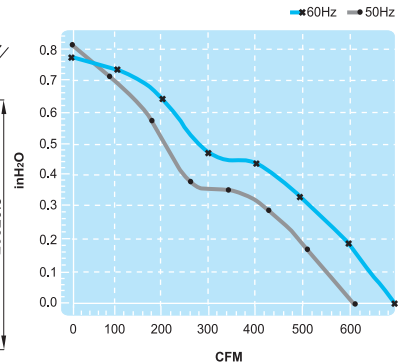
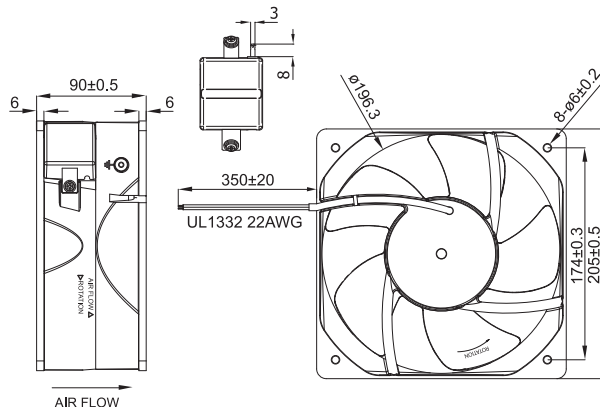


UF20J(C) Series

Size : 205 x 205 x 90

Unit : mm



Thermal Protection

Terminal or Lead Wire Type



Spec.	Rated Voltage	Frequency	Input Power	Rated Current	Locked Current	Speed	Maximum Air Flow	Maximum Air Flow	Maximum Pressure	Maximum Pressure	Noise	Weight
Model	V	Hz	W	A	A	RPM	m ³ /min.	CFM	mmH ₂ O	InchH ₂ O	dB	kg
UF20JC11-H	115V	50	70	0.62	1.22	2800	17.0	600	20.3	0.80	67	2.4
		60	98	0.90	1.22	3200	19.3	680	19.8	0.77	71	
UF20JC23-H	230V	50	70	0.32	0.60	2800	17.0	600	20.3	0.80	67	2.4
		60	98	0.45	0.61	3200	19.3	680	19.8	0.77	71	