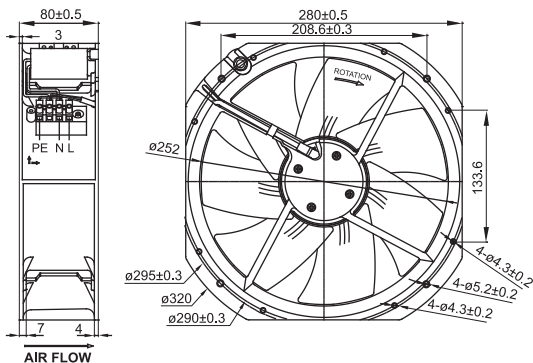
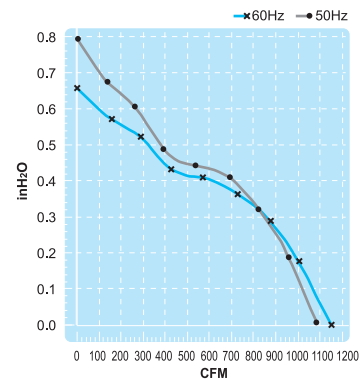


UF250BMB Series

Size : 280 x 280 x 80
Unit : mm



(Axial Fan)



Thermally-Protected



Spec. / Model	Rated Voltage (V)	Frequency (Hz)	Input Power (W)	Rated Current (A)	Locked Current (A)	Speed (RPM)	Maximum Air Flow (m ³ /min.)	Maximum Air Flow (CFM)	Maximum Pressure (mmH ₂ O)	Maximum Pressure (InchH ₂ O)	Capacitor (μF/VDB)	Noise (dB)	Weight (kg)
UF250BMB11H1C2A	115V	50	112	1.00	1.90	2550	31	1090	20.0	0.78	12/250	68	2.8
		60	148	1.50	1.90	2700	32	1130	16.5	0.65		70	
UF250BMB23H1C2A	230V	50	119	0.59	0.91	2550	31	1090	20.0	0.78	4/450	68	2.8
		60	158	0.82	0.91	2700	32	1130	16.5	0.65		70	