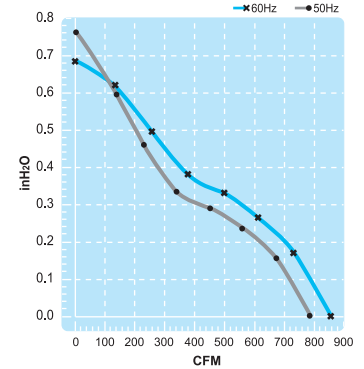
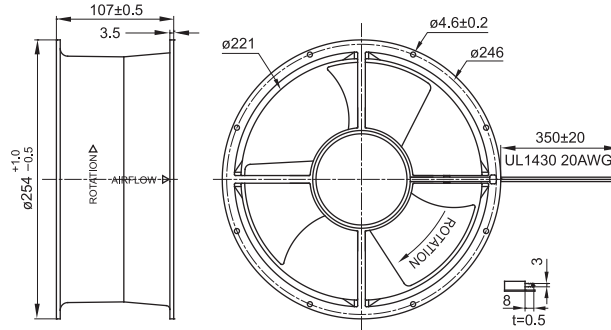


# UF25H(C) Series

Size :  $\phi 254 \times 107$

Unit : mm



## Thermal Protection

## Terminal or Lead Wire Type



Spec. Model	Rated Voltage V	Frequency Hz	Input Power W	Rated Current A	Locked Current A	Speed RPM	Maximum Air Flow m <sup>3</sup> /min.	Maximum Air Flow CFM	Maximum Pressure mmH <sub>2</sub> O	Maximum Pressure InchH <sub>2</sub> O	Noise dB	Weight kg
UF25HC11-H	115V	50	95	0.85	1.65	2600	22	780	19.0	0.75	63	2.5
		60	125	1.07	1.50	2750	24	850	17.5	0.68	65	
UF25HC23-H	230V	50	95	0.42	0.80	2600	22	780	19.0	0.75	63	2.5
		60	125	0.50	0.75	2750	24	850	17.5	0.68	65	