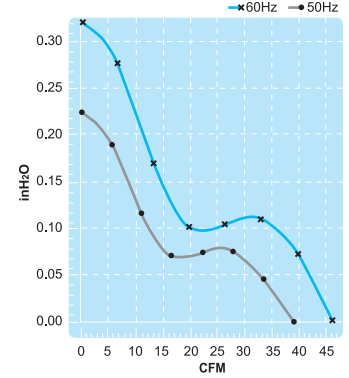
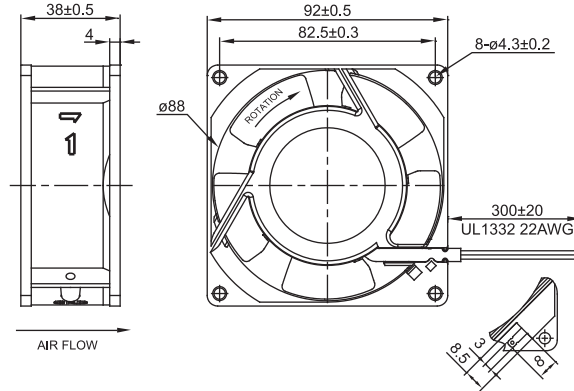


# UF92A Series

Size : 92 x 92 x 38  
Unit : mm



## Impedance Protection

## Terminal or Lead Wire Type



Recognized Component  
CONFORMS TO  
ANSI/UL STD 508  
CERTIFIED TO  
CANADIAN STD  
STD NO.113

Spec. / Model	Rated Voltage V	Frequency Hz	Input Power W	Rated Current A	Locked Current A	Speed RPM	Maximum Air Flow m <sup>3</sup> /min.	Maximum Air Flow CFM	Maximum Pressure mmH <sub>2</sub> O	Maximum Pressure InchH <sub>2</sub> O	Noise dB	Weight kg
UF92A11-H	115V	50	15	0.22	0.29	2800	1.1	38	5.6	0.22	34	0.45
		60	12	0.16	0.25	3300	1.3	46	8.1	0.32	38	
UF92A23-H	230V	50	16	0.12	0.15	2800	1.1	38	5.6	0.22	34	0.45
		60	12	0.09	0.13	3300	1.3	46	8.1	0.32	38	