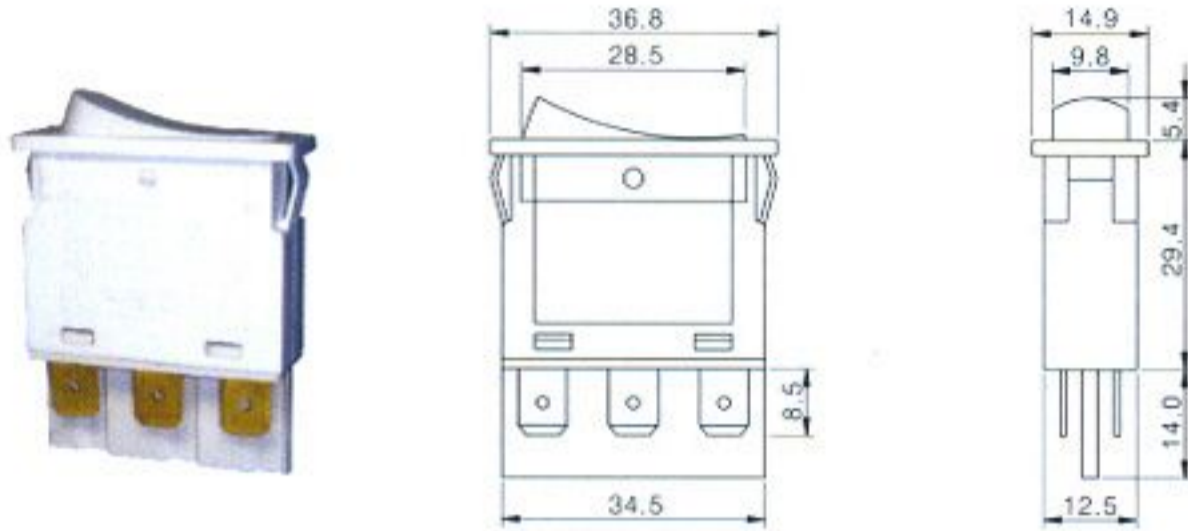
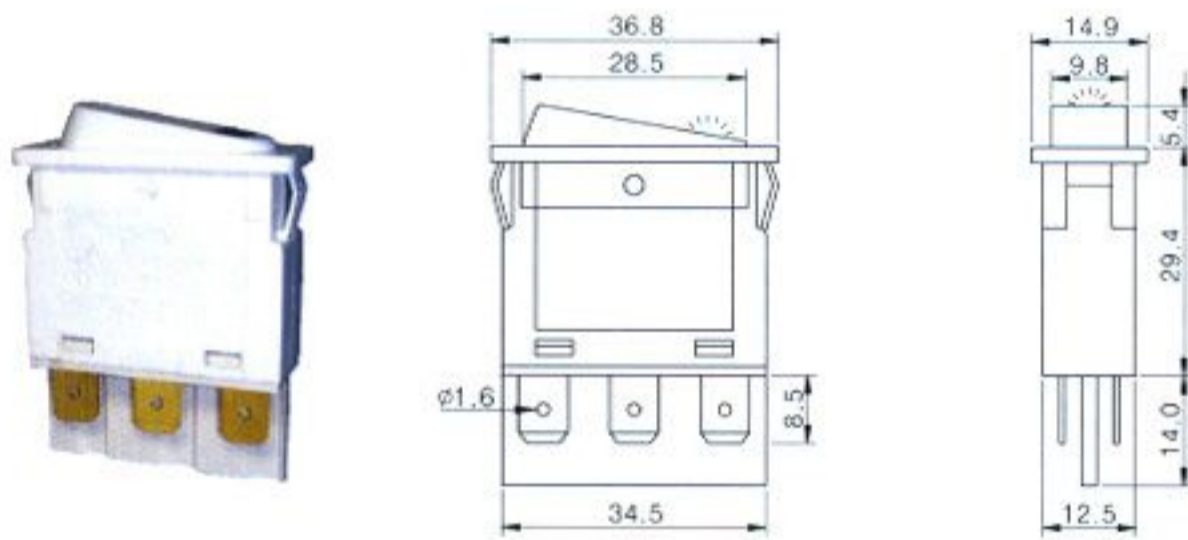




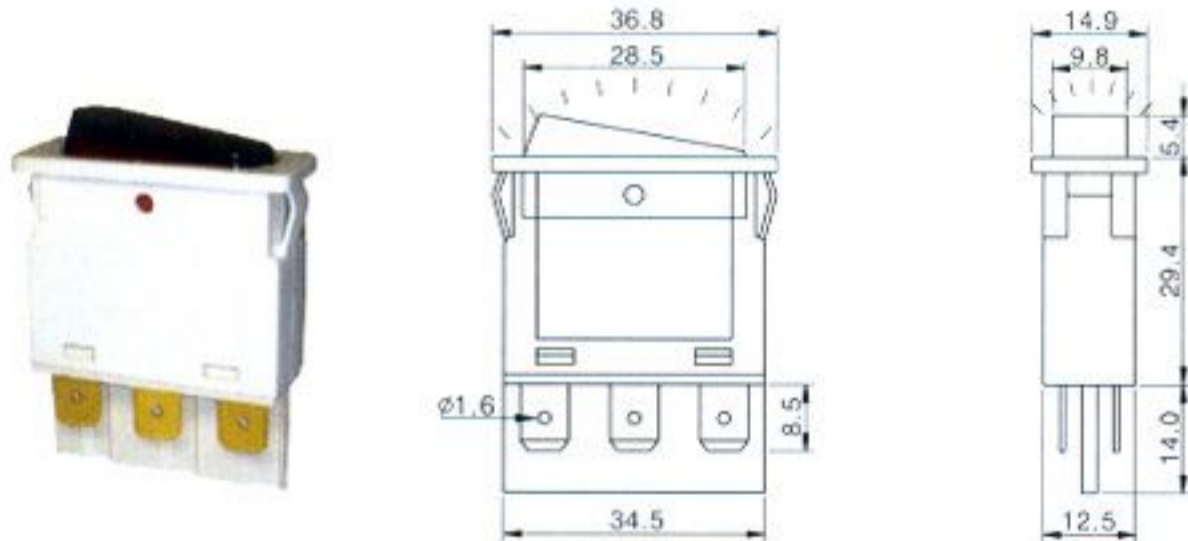
■ WRO-6210



■ WRO-6210LF



■ WRO-6210LA



■ 사양(WRO 시리즈)

색상(Color)	외함(Housing)	흑색(Black), 백색(White)
	손잡이(knob)	흑색(Black), 백색(White)
	램프(Lamp)	적색(Red), 녹색(Green), 황색(Yellow)
네온 램프의 수명(Neon lamp more than)	20,000시간 이상	
네온 램프의 전압(Voltage of the neon lamp)	a.c. 250V (LED 내장 가능 - d.c. 12V / 24V)	
패널 취부치수(Panel size) / (AL판 - t 2.0mm 기준)	(35.6mm) × (13.0mm)	
단자 터미널 번호(Terminal No.)	#250 사용	
표시(Mark)		
회로 결선도(Circuit) / (예:WRO-6210LF)		

제 품 (Item)	회 로 (Circuit)	정격-a.c. (Rating-a.c.)	기 능 (Function)
------------	---------------	-----------------------	----------------

WRO-2210	SPST	125V 10A 250V 6A	켜짐-꺼짐
WRO-2216	SPST	125V 16A 250V 10A	켜짐-꺼짐
WRO-3210	SPDT	125V 10A 250V 6A	켜짐-켜짐
WRO-3216	SPDT	125V 16A 250V 10A	켜짐-켜짐
WRO-4210	DPST	125V 10A 250V 6A	켜짐-꺼짐
WRO-4216	DPST	125V 16A 250V 10A	켜짐-꺼짐
WRO-6210	DPDT	125V 10A 250V 6A	켜짐-켜짐
WRO-6216	DPDT	125V 16A 250V 10A	켜짐-켜짐

WRO-4210LF	DPST	125V 10A 250V 6A	켜짐-꺼짐
WRO-4216LF	DPST	125V 16A 250V 10A	켜짐-꺼짐
WRO-6210LF	DPDT	125V 10A 250V 6A	켜짐-켜짐
WRO-6216LF	DPDT	125V 16A 250V 10A	켜짐-켜짐

WRO-4210LA	DPST	125V 10A 250V 6A	켜짐-꺼짐
WRO-4216LA	DPST	125V 16A 250V 10A	켜짐-꺼짐
WRO-6210LA	DPDT	125V 10A 250V 6A	켜짐-켜짐
WRO-6216LA	DPDT	125V 16A 250V 10A	켜짐-켜짐