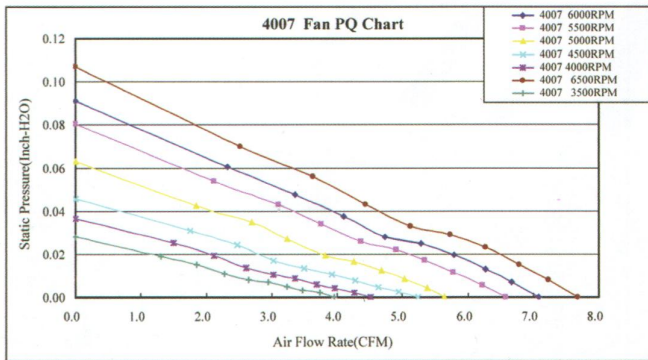


EVERCOOL

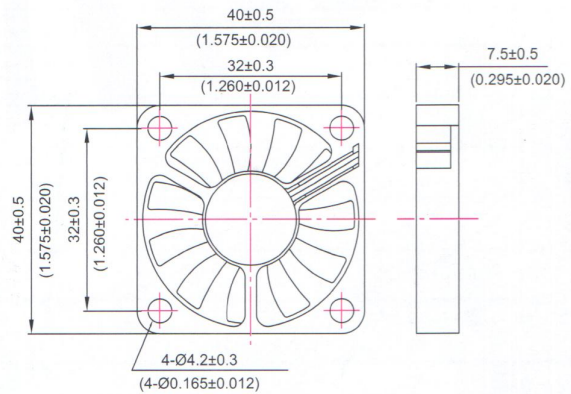
4007 series 40x40x07 mm



P&Q Curve



Dimensions Drawing



UNIT:MM/(INCH)

Specifications

Model	Rated Voltage (VDC)	Rated Current (AMP)	Power Consumption (WATTS)	Speed Reference (RPM)	Air Flow (CFM)	Static Pressure (Inch-H ₂ O)	Noise (dBA)
EC4007HH05X	5	0.32	1.6	5500	6.58	0.08	<25
EC4007H05X	5	0.26	1.3	5000	5.64	0.06	<22
EC4007M05X	5	0.2	1	4500	5.23	0.05	<21
EC4007L05X	5	0.16	0.8	4000	4.51	0.044	<20
EC4007LL05X	5	0.12	0.6	3500	3.95	0.041	<17.1
EC4007HH12X	12	0.18	2.16	6500	7.68	0.11	<28.7
EC4007H12X	12	0.12	1.44	6000	7.09	0.09	<27
EC4007M12X	12	0.09	1.08	5500	6.58	0.08	<25
EC4007L12X	12	0.07	0.84	5000	5.64	0.06	<22

- ▶ Material:impeller & Frame:Plastic(UL 94V-0)
- ▶ Lead Wires:
UL 1007 AWG #28 Or Equivalent
Red Wire Positive(+), Black Wire Negative(-), Yellow Wire Or Blue Wire Signal(FG)
- ▶ Function type is optional.

- ▶ The max air flow and the speed are measured in free air; max air pressure is measured at zero air flow.
- ▶ Noise is measured in anechoic chamber in free air, one meter from intake side.
- ▶ All readings are typical values at rated voltage.
- ▶ Specifications are subject to change without notice.
- ▶ Additional special function may be added according the requirement of customer.

4007 series