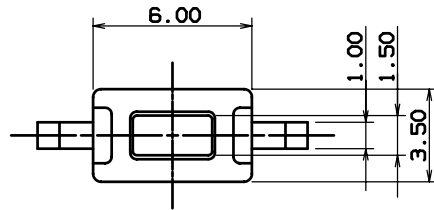
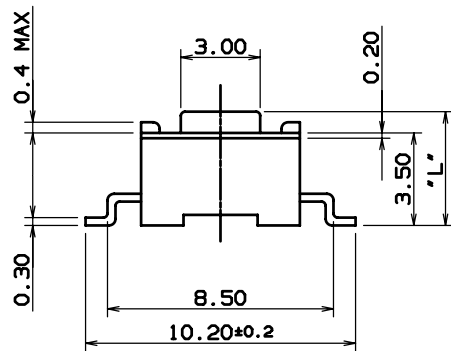
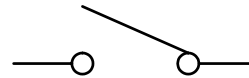


MODEL	"L"
MT 1101S	4.3mm
MT 1101SA	5.0mm
MT 1101SB	6.5mm

MODEL	O/F FORCE
MT 1101S-1	130gf
MT 1101SA-2	180gf
MT 1101SB-3	250gf

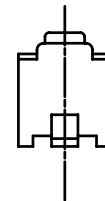
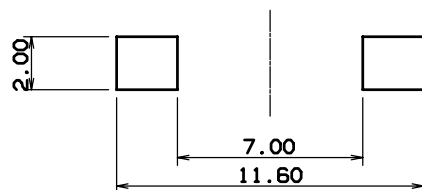


CIRCUIT DIAGRAM



"P" : 8mm ,9mm,10mm

P.C.B. LAND DIMENSION



NOTE

1. OPERATING FORCE :
2. TRAVEL :0.25 +0.2/-0.1 mm
3. CONTACT RESISTANCE :100mΩ Max
4. GENERAL TOLERANCE :± 0.3

NO	PART NAME	Q'TY	MATERIAL	REMARKS
1	CASE	1	ARLEN	BLACK
2	STEM	1	ARLEN	BLACK
3	COVER	1	SUS304-H	
4	TERMINAL	1	C2680R-EH	Ag PLATE
5	C/PLATE	1	SUS301-EH	Ag 0.5μ

No.	PART NAME	Q'TY	MATERIAL	SIZE	TREAT.	REMARKS
3			UNIT	SCALE	MODEL	
4			3RD ANGLE PROJECTION	m/m	MT 1101S SERISE	
5			APPROVED	CHECKED	DESIGNED	DWG. NAME
6						ASS'Y DIAGRAM
7						DWG. NO.
NO.	DATE	NOTE	SIGN	.	.	.