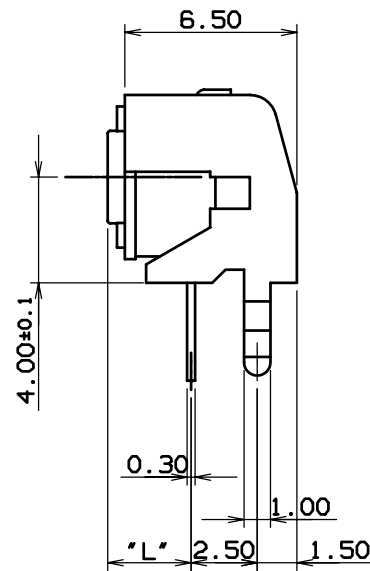
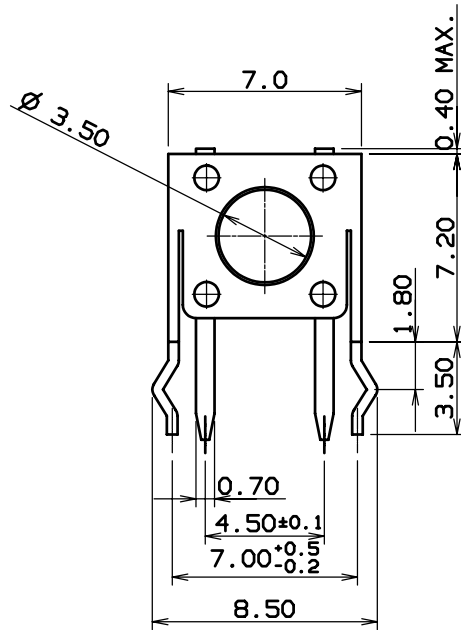


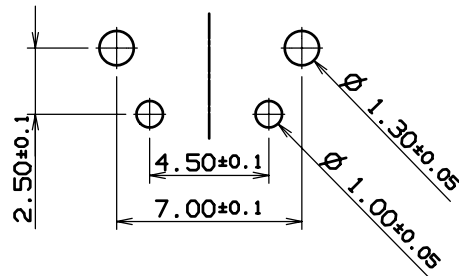
CIRCUIT DIAGRAM



NO	PART NAME	Q'TY	MATERIAL	RAMARKS
①	CASE	1	NYLON66 G30	BLACK
②	STEM	1	NYLON66 G30	BLACK
③	BRACKET	1	SPTE	
④	TERMINAL	1	C2680R-EH	Ag PLATE
⑤	CONTACT	1	C5210R-EH Ag clad 0.5μ	



P.C.B DIMENSION



MODEL	"L"	COLOR
MT1102V	3.15	BLACK
MT1102VA	3.85	BLACK
MT1102VB	8.35	BLACK
MT1102VC	6.85	WHITE
MT1102VD	11.85	BLACK
MT1102VE	6.15	IVORY
MT1102VF	5.85	BLACK
MT1102VG	7.35	BLACK

MODEL	O/F FORCE	COLOR
MT1102V	100gf	BROWN
MT1102V-1	130gf	GRAY
MT1102V-2	160gf	
MT1102V-3	250gf	RED

NOTE

1. OPERATING FORCE :
2. TRAVEL : 0.25 +0.2/-0.1 mm
3. CONTACT RESISTANCE : 100mΩ Max
4. GENERAL TOLERANCE : ±0.3

No.	PART NAME	Q'TY	MATERIAL	SIZE	TREAT.	REMARKS
③						
④						
⑤						
⑥						
⑦						
NO.	DATE	NOTE	SIGN			