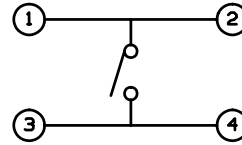
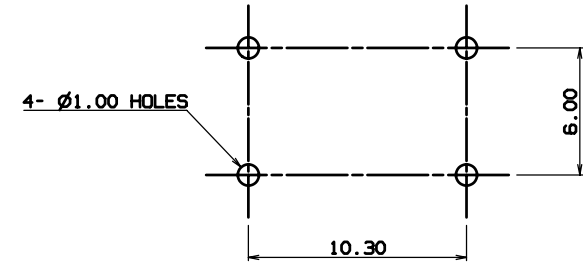


CIRCUIT DIAGRAM

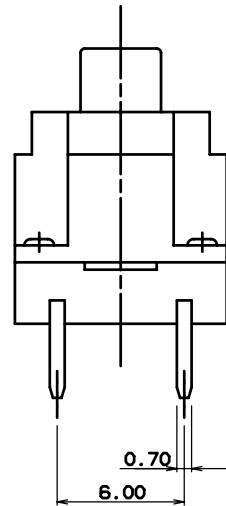
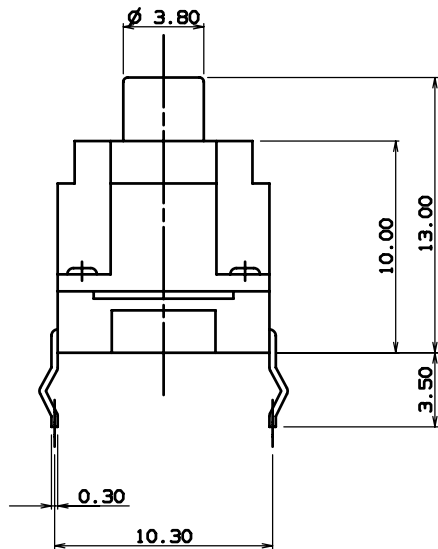


P.C.B DIMENSION



NOTE

1. OPERATING FORCE : 160 ± 50 gf
2. GENERAL TOLERANCE : ± 0.3
3. TRAVEL : 0.25 ± 0.01
4. CONTACT RESISTANCE : 100 m Ω



NO	PARTS NAME	Q'TY	MATERIAL	REMARKS
1	CASE	1	PA9T	BLACK
2	STEM	1	NY66	IVORY
3	STEM-B	1	P.B.T	BLACK
4	COVER	1	NYLON66	BLACK
5	TERMINAL	1	C2680R-EH	Ag 0.5 μ
6	C/PLATE	1	C5210R-EH Ag clad	0.5 μ
7	MASKING TAPE	1	3M NO92	
8	GASKET	1	RUBBER	BLACK

No.	PART NAME	Q'TY	MATERIAL	SIZE	TREAT.	REMARKS
③						MT 1104-2
④						
⑤						ASS'Y DIAGRAM
⑥						
⑦						DWG. NO.
NO.	DATE	NOTE	SIGN			