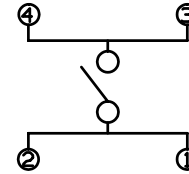
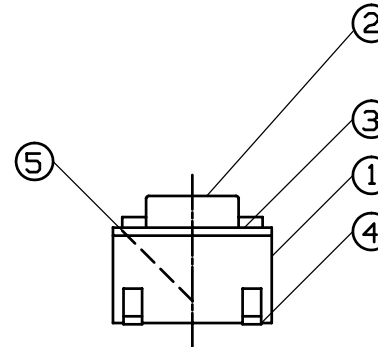
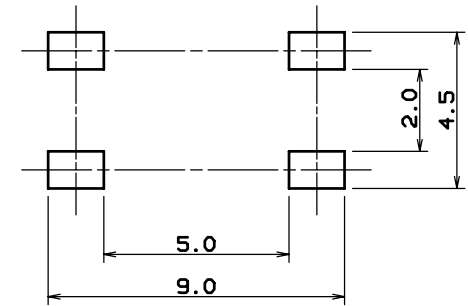


CIRCUIT DIAGRAM



MODEL	"L"
MT 1110S	3.8
MT 1110SA	7.0

P.C.B LAND DIMENSIONS



1. OPERATING FORCE : 180 ±50 gf
2. TRAVEL : 0.25 +0.2/-0.1 mm
3. CONTACT RESISTANCE : 100mΩ Max
4. GENERAL TOLERANCE : ±0.3

NO	PART NAME	Q'TY	MATERIAL	REMARK
1	CASE	1	LCP	BLACK
2	STEM	1	LCP	BLACK
3	COVER	1	SPT	
4	TERMINAL	1	C2680R-EH	Ag plate
5	CONTACT	1	SUS	Ag 0.5μ

No.	PART NAME	Q'TY	MATERIAL	SIZE	TREAT.	REMARKS
⑤						
④						
③						
②						
①						
NO.	DATE	NOTE	SIGN			

3RD ANGLE PROJECTION	UNIT m/m	SCALE	MODEL MT 1110S-2
APPROVED	CHECKED	DESIGNED	DWG. NAME ASS'Y DIAGRAM
			DWG. NO.