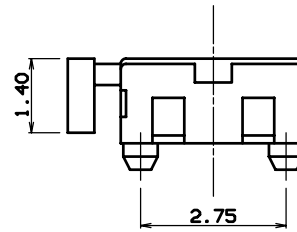
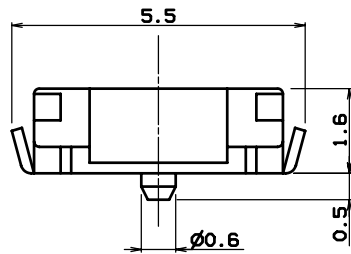
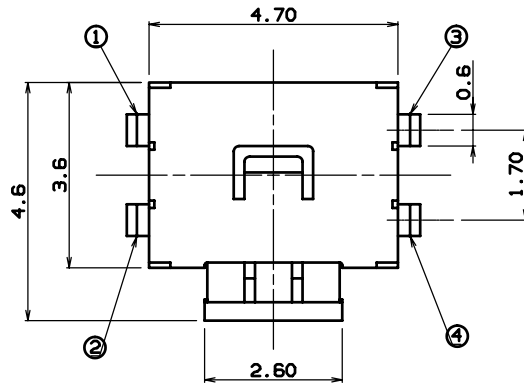
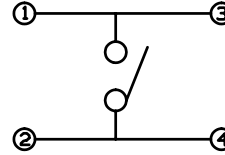
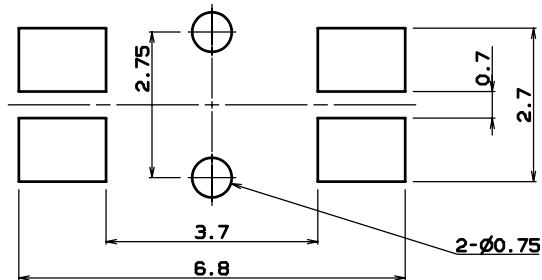


NO	PART NAME	Q'TY	METERIAL	REMARKS
1	CASE	1	LCP	BLACK
2	PUSH	1	PA6T	BLACK
3	TERMINAL	1	C2680R-EH	Ag0.5μ
4	COVER	1	SUS	
5	CONTACT	1	SUS	Ag0.5μ
6	TAPE	1	TEFLON	

CIRCUIT DIAGRAM



P.C.B LAND DIMENSION



NOTE

1. RATING : DC12V 50mA
2. TRAVEL : 0.3 ±0.1mm
3. OPERATING FORCE : 220 ± 50gf
4. CONTACT RESISTANCE : 100mΩ MAX
5. LIFE : 100,000 CYCLES MIN

No.	PART NAME	Q'TY	MATERIAL	SIZE	TREAT.	REMARKS
③			3RD ANGLE PROJECTION	UNIT m/m	SCALE 1	MODEL MT 1136UE-2
④			APPROVED	CHECKED	DESIGNED	DWG. NAME ASS'Y DIAGRAM
⑤						DWG. NO.
⑥						
NO.	DATE	NOTE	SIGN			