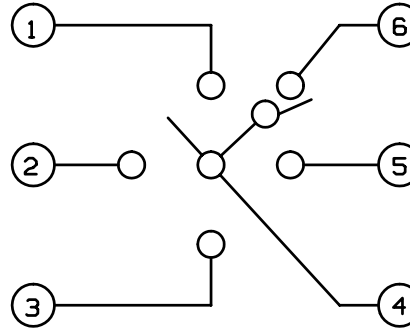
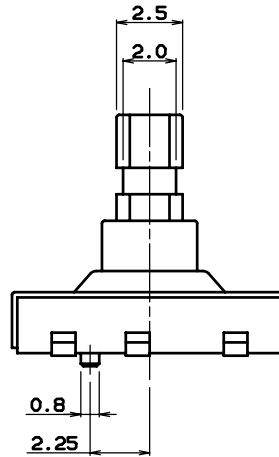
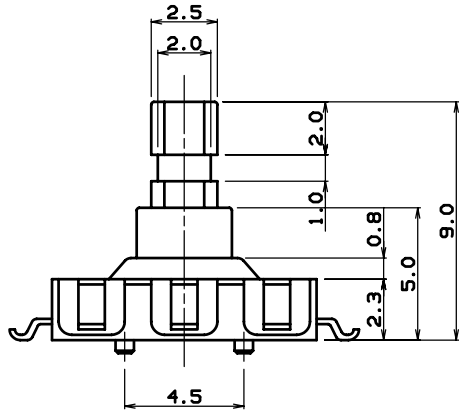
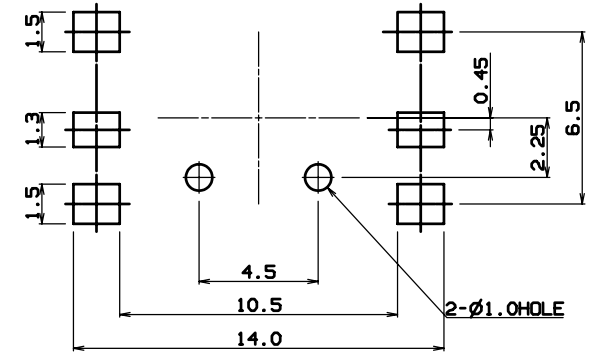


CIRCUIT DIAGRAM



CIRCUIT DIAGRAM



NOTE

1. OPERAING FORCE : 4-DIRECTION 160 ±30 , CENTER : 320 ±70
2. LIFE CYCLE : FOE EACH 50,000 CYCLE
3. RATING : MAX 50mA , 12V DC
4. STROKE (mm) : 4-DIRECTION 0.4 ±0.1 , CENTER : 0.2 ±0.1
5. CONTACT RESISTRANCE : 100mΩ MAX
6. FEATURE : MULTI THIN TYPE, REFLOW SOLDERING

No.	PART NAME	Q'TY	MATERIAL	SCALE	MODEL	TREAT.	REMARKS
③			3RD ANGLE PROJECTION	UNIT	SCALE 1		MT 1500SC
④			APPROVED	m/m	DESIGNED		DWG. NAME
⑤							A'SSY DIAGRAM
⑥							DWG. NO.
NO.	DATE	NOTE	SIGN				