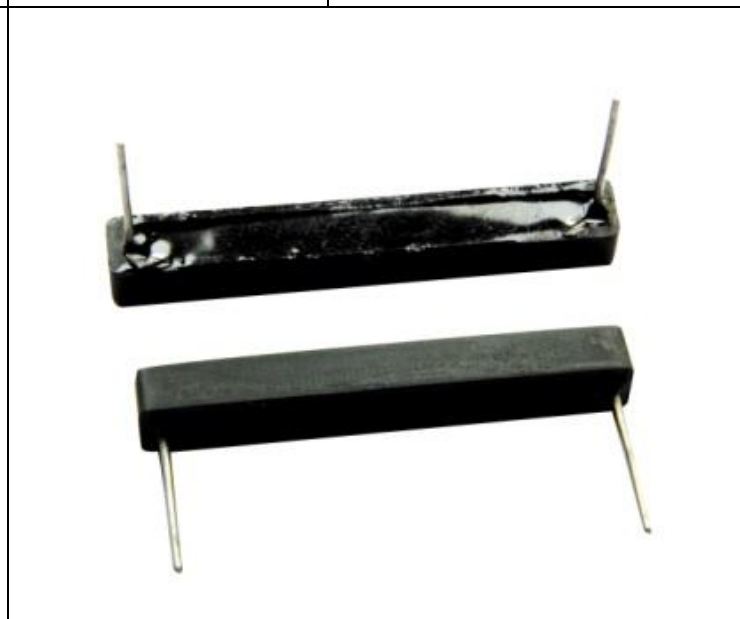
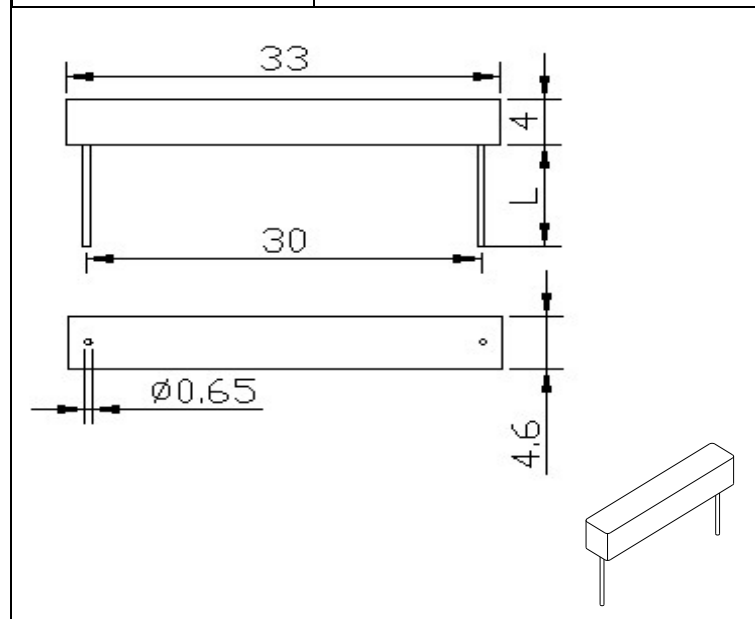
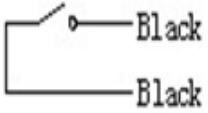


PCB Mount Reed Switch

Product Name	Normally Close Reed Sensor	Item No.	SZFAST-EB
---------------------	----------------------------	-----------------	-----------



Switch Circuit	Switch Form	Built-in reed switch	Feature: 1. Operated in magnetic field. 2. Sensitive distance is optional 3. 2 pins
	Form B	RI-90 φ2.54×14.2mm	

Contact Form	1B SPST-N/C	Breakdown voltage	200V
Contact Materials	Ru	Contact capacity	0.8pF
Contact Load	5W	Insulated resistance	10 ⁶ Ω
Max. switching voltage	DC175V/AC125V	resonant frequency	10.8KHz
Max. switching current	DC400mA/AC280mA	Work temperature	-55°C ~ +100°C
Max. contact resistance	120m Ω	Pull in value	AT10-15
Approve	Drawing	check	version release
ROHS\REACH\CE	Yan Guo	Leo Li	2012-1-30

SHENZHEN FAST SENSOR CO.,LTD	TEL: 0755-3393 6919 FAX: 0755-3393 6682 Sophy Deng E-mail: sophy@faster.hk
http://www.szfast.com	

<p>SZFAST-A</p> <p>NO</p>	<p>SZFAST-B</p> <p>NO</p>	<p>SZFAST-C</p> <p>NO</p>	<p>SZFAST-D</p> <p>NO</p>
<p>SZFAST-E</p> <p>NO</p>	<p>SZFAST-EB</p> <p>NB</p>	<p>SZFAST-EC</p> <p>CO</p>	<p>SZFAST-F</p> <p>NO</p>
<p>SZFAST-G</p> <p>NO</p>	<p>SZFAST-H</p> <p>NO</p>	<p>SZFAST-J</p> <p>NO</p>	<p>SZFAST-J1</p> <p>NO</p>
<p>SZFAST-M</p> <p>NO</p>	<p>SZFAST-R1105</p> <p>NO</p>	<p>SZFAST-R1503</p> <p>NO</p>	<p>SZFAST-R1505</p> <p>NO</p>